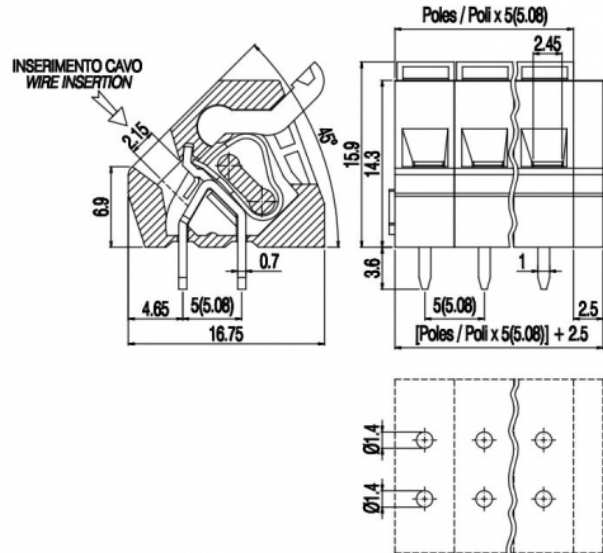


# MG1\_\_-5,08-P



## GENERAL INFORMATION

pitch	5,08 mm
Height	14.3 mm
Depth	16.75 mm
Dimensional class	Bassa
Wire section	2.5 mm <sup>2</sup> / 14 AWG
Clamp opening size	2.45 x 2.45 mm
Wire stripping	max 9 mm
Operating temperature	-40 ÷ +130 °C

## ELECTRICAL CHARACTERISTICS

Current	24 A
Voltage	250 V
impulse voltage	2 kV

## MECHANICAL CHARACTERISTICS

Screw	-
Recommended torque	-

## APPROVALS DATA



Current	-	-	<b>UL 1059</b>
Voltage	-	-	17 A factory / 17 A field
Wire section	-	-	300 V
Torque	-	-	12 AWG
FILE	-	-	-
			E178356

**MATERIALS**

Housing	PA - UL 94 V0
Screw	-
Spring	Spring steel
Terminal	Tin-plated copper alloy

**COLOURS**

Standard



On request



POLES	NAME	3D FILE
01	MG101-5,08-P	File available
02	MG102-5,08-P	File not available for this product
03	MG103-5,08-P	File not available for this product
04	MG104-5,08-P	File not available for this product
05	MG105-5,08-P	File not available for this product
06	MG106-5,08-P	File not available for this product
07	MG107-5,08-P	File not available for this product
08	MG108-5,08-P	File not available for this product
09	MG109-5,08-P	File not available for this product
10	MG110-5,08-P	File not available for this product
11	MG111-5,08-P	File not available for this product
12	MG112-5,08-P	File not available for this product
13	MG113-5,08-P	File not available for this product
14	MG114-5,08-P	File not available for this product
15	MG115-5,08-P	File not available for this product
16	MG116-5,08-P	File not available for this product
17	MG117-5,08-P	File not available for this product
18	MG118-5,08-P	File not available for this product
19	MG119-5,08-P	File not available for this product
20	MG120-5,08-P	File not available for this product
21	MG121-5,08-P	File not available for this product
22	MG122-5,08-P	File not available for this product
23	MG123-5,08-P	File not available for this product