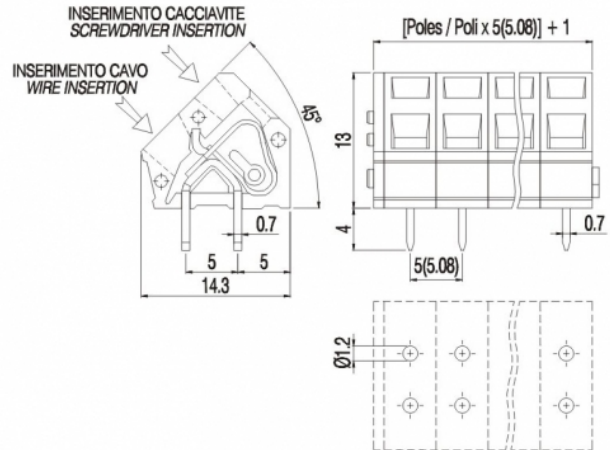
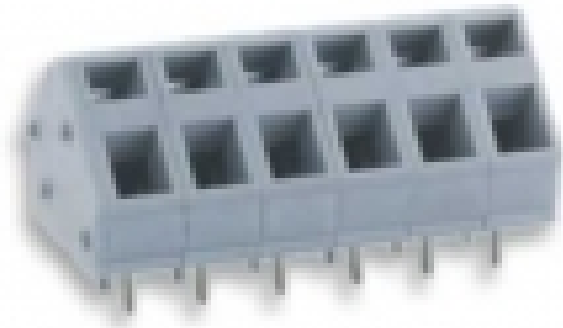


MGS2__-5



GENERAL INFORMATION

pitch	5 mm
Height	13 mm
Depth	14.3 mm
Dimensional class	Media
Wire section	2.5 mm ² / 14 AWG
Clamp opening size	-
Wire stripping	max 7 mm
Operating temperature	-40 ÷ +105 °C

ELECTRICAL CHARACTERISTICS

Current	15 A
Voltage	250 V
Test Voltage	2 kVrms/60s

MECHANICAL CHARACTERISTICS

Screw	-
Recommended torque	-

APPROVALS DATA



Current	-	-	-
Voltage	-	-	-
Wire section	-	-	-
Torque	-	-	-
FILE	-	-	-

MATERIALS

Housing	PA - UL 94 V0
Screw	-
Spring	Spring steel
Terminal	Tin-plated copper alloy

COLOURS

Standard

On request



POLES
01



NAME
MGS201-5

3D FILE
File not available for this product