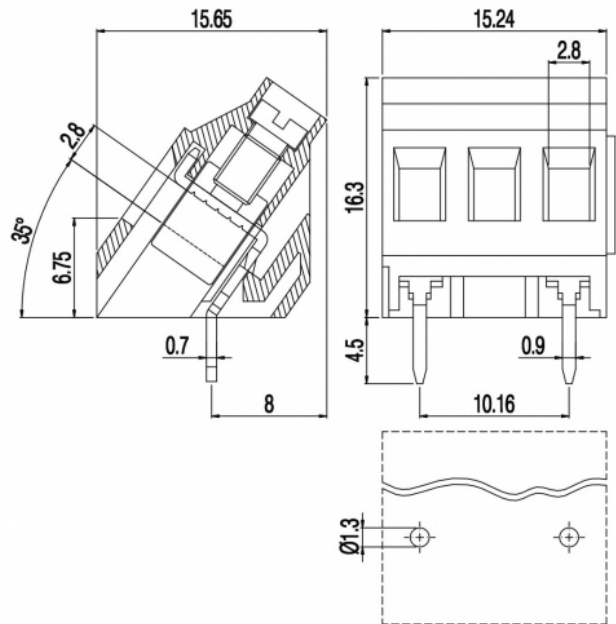


MI25_-10,16-IT



GENERAL INFORMATION

pitch	10,16 mm
Height	16.3 mm
Depth	15.65 mm
Dimensional class	Media
Wire section	2.5 mm ² / 14 AWG
Clamp opening size	2.8 x 2.8 mm
Wire stripping	max 8 mm
Operating temperature	-40 ÷ +130 °C

ELECTRICAL CHARACTERISTICS

Current	16 A
Voltage	750 V
Test Voltage	3 kVrms/60s

MECHANICAL CHARACTERISTICS

Screw	M3
Recommended torque	0.5÷0.55 Nm / 4.5÷4.9 in.lbs

APPROVALS DATA



	EN 60998-1	EN 60998-1	UL 1059
Current	16 A	16 A	16 A factory / 15 A field
Voltage	750 V	750 V	300 V
Wire section	2.5 mm ²	2.5 mm ²	14 ÷ 30 AWG
Torque	0.5 Nm	0.5 Nm	4.5 Lb-in
FILE	EP149	40023956	E178356

MATERIALS

Housing

Screw

Clamp

Terminal

SCIP Number

COLOURS

Standard

On request



POLES

1

2

NAME

MI251-10,16-IT

MI252-10,16-IT

3D FILE

File not available for this product

File not available for this product