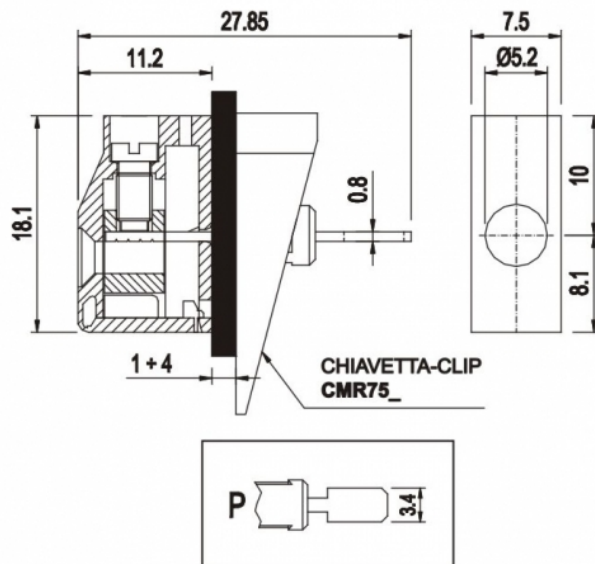


MPT275-P



GENERAL INFORMATION

pitch	7,5 mm
Height	18.1 mm
Depth	11.2 mm
Dimensional class	Media
Wire section	2.5 mm ² / 14 AWG
Clamp opening size	-
Wire stripping	max 10 mm
Operating temperature	-40 ÷ +130 °C

ELECTRICAL CHARACTERISTICS

Current	24 A
Voltage	450 V

MECHANICAL CHARACTERISTICS

Screw	M3
Recommended torque	0.5÷0.55 Nm / 4.5÷4.9 in.lbs

APPROVALS DATA



	EN 60998-1	EN 60998-1	UL 1059
Current	24 A	24 A	28 A factory / 20 A field
Voltage	450 V	450 V	300 V
Wire section	2.5 mm ²	2.5 mm ²	12 AWG
Torque	0.5 Nm	0.5 Nm	4.5 Nm
FILE	CA02.00600	40014733	E178356

MATERIALS

Housing	PA - UL 94 V0
Screw	Galvanized steel
Clamp	Nickel-plated copper alloy
Terminal	Tin-plated copper alloy

COLOURS

Standard



On request



POLES

01

NAME

MPT275-P

3D FILE

File available