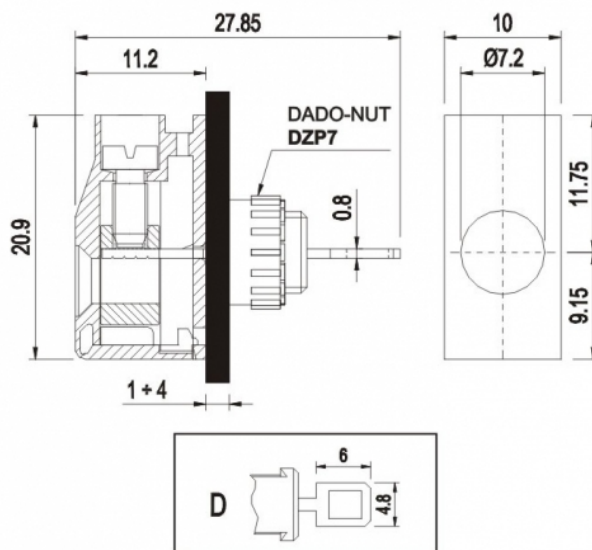


# MPT410-D



## GENERAL INFORMATION

pitch	10 mm
Height	20.9 mm
Depth	11.2 mm
Dimensional class	Alta
Wire section	4.0 mm <sup>2</sup> / 12 AWG
Clamp opening size	-
Wire stripping	max 10 mm
Operating temperature	-40 ÷ +130 °C

## ELECTRICAL CHARACTERISTICS

Current	32 A
Voltage	450 V

## MECHANICAL CHARACTERISTICS

Screw	M3
Recommended torque	0.5÷0.55 Nm / 4.5÷4.9 in.lbs

## APPROVALS DATA



	EN 60998-1	EN 60998-1	UL 1059
Current	32 A	32 A	36 A factory / 30 A field
Voltage	450 V	450 V	600 V
Wire section	4.0 mm <sup>2</sup>	4.0 mm <sup>2</sup>	10 AWG
Torque	0.5 Nm	0.5 Nm	4.5 Lb-in
FILE	CA02.00601	40014733	E178356

## MATERIALS

Housing	PA - UL 94 V0
Screw	Galvanized steel
Clamp	Nickel-plated copper alloy
Terminal	Tin-plated copper alloy

**COLOURS**

Standard

**GN**

On request

**GY**

**BK**

**BL**

**RD**

**YL**

**OG**