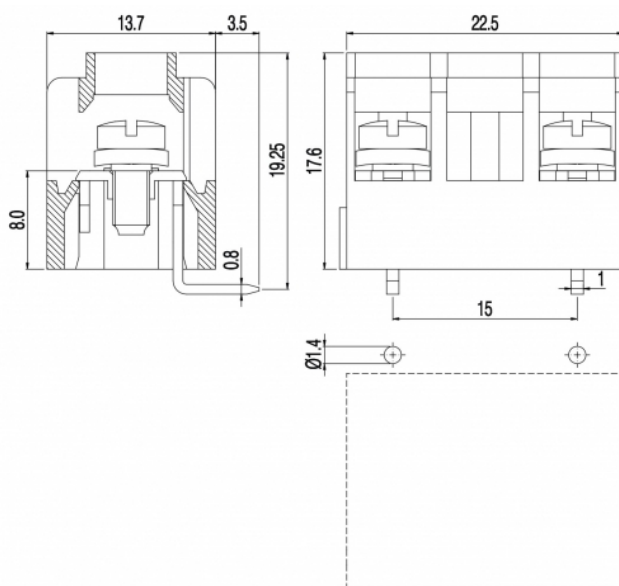


MT17_-15-HC



GENERAL INFORMATION

pitch	15 mm
Height	17.6 mm
Depth	13.7 mm
Dimensional class	Media
Wire section	2x2.5 mm ² / 2x14 AWG
Clamp opening size	-
Wire stripping	max 9 mm
Operating temperature	-40 ÷ +130 °C

ELECTRICAL CHARACTERISTICS

Current	24 A
Voltage	750 V
impulse voltage	3 kV

MECHANICAL CHARACTERISTICS

Screw	M3
Recommended torque	0.5÷0.55 Nm / 4.5÷4.9 in.lbs

APPROVALS DATA



Current	-	-	UL 1059
Voltage	-	-	20 A factory / 15 A field
Wire section	-	-	600 V
Torque	-	-	30 AWG
FILE	-	-	4.5 Lb-in
			E178356

MATERIALS

Housing	PA - UL 94 V0
Screw	Galvanized steel
Clamp	-

Terminal

Tin-plated copper alloy

COLOURS

Standard

On request



POLES

NAME

3D FILE

1	MT171-15-HC	File not available for this product
2	MT172-15-HC	File not available for this product