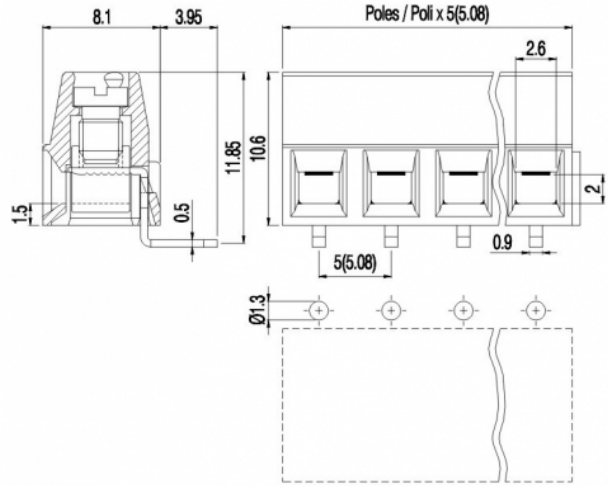
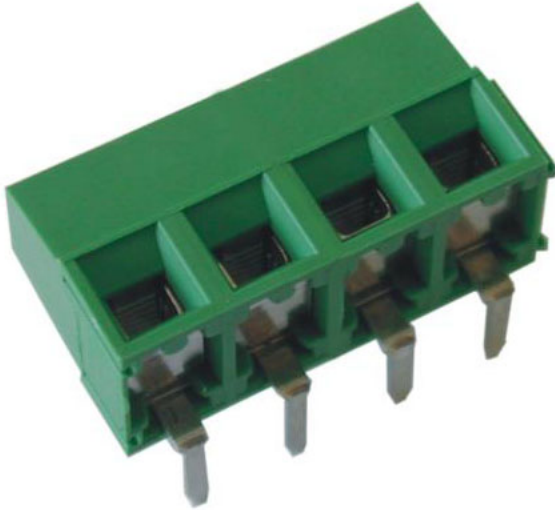


# MV15\_-5-H



### GENERAL INFORMATION

pitch	5 mm
Height	10.6 mm
Depth	8.1 mm
Dimensional class	Bassa
Wire section	1.5 mm <sup>2</sup> / 16 AWG
Clamp opening size	2.6 x 2 mm
Wire stripping	max 6 mm
Operating temperature	-40 ÷ +130 °C

### ELECTRICAL CHARACTERISTICS

Current	13.5 A
Voltage	250 V
impulse voltage	2 kV

### MECHANICAL CHARACTERISTICS

Screw	M3
Recommended torque	0.5÷0.55 Nm / 4.5÷4.9 in.lbs

### APPROVALS DATA



	EN 60998-1		UL 1059
Current	13.5 A	-	13.5 A factory / 10 A field
Voltage	250 V	-	300 V
Wire section	1.5 mm <sup>2</sup>	-	16 AWG
Torque	0.5 Nm	-	4.5 Lb-in
FILE	EQ202	-	E178356

### MATERIALS

Housing	PA - UL 94 V0
Screw	Galvanized steel
Clamp	Nickel-plated copper alloy
Terminal	Tin-plated copper alloy
SCIP Number	8e28a064-07ab-45c1-afc0-7873209ceda4

**COLOURS**

Standard



On request



<b>POLES</b>	<b>NAME</b>	<b>3D FILE</b>
2	MV152-5-H	File available
3	MV153-5-H	File available
4	MV154-5-H	File available
5	MV155-5-H	File available
6	MV156-5-H	File available
7	MV157-5-H	File available
8	MV158-5-H	File available
9	MV159-5-H	File available
10	MV1510-5-H	File available
11	MV1511-5-H	File available
12	MV1512-5-H	File available