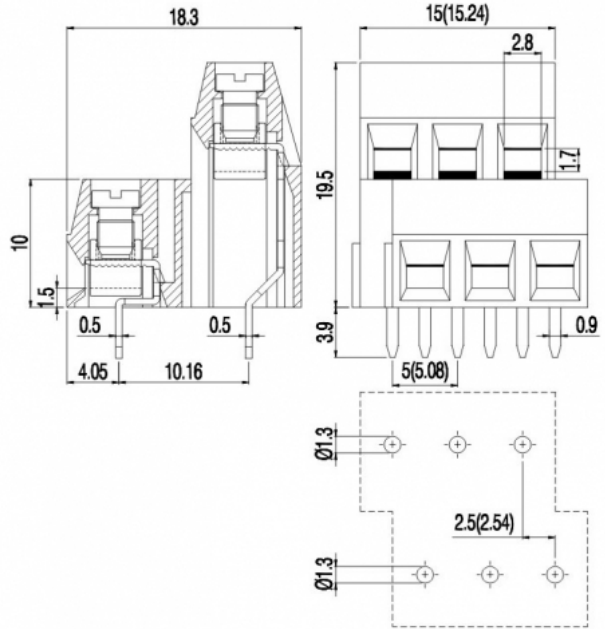
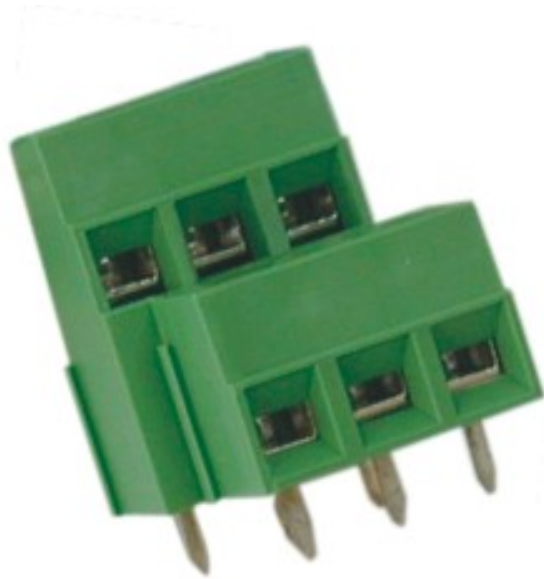


MVD15_-5,08-V



GENERAL INFORMATION

pitch	5,08 mm
Height	19.5 mm
Depth	18.3 mm
Dimensional class	Bassa
Wire section	1.5 mm ² / 16 AWG
Clamp opening size	2.8 x 1.7 mm
Wire stripping	max 6 mm
Operating temperature	-40 ÷ +130 °C

ELECTRICAL CHARACTERISTICS

Current	13.5 A
Voltage	250 V
Test Voltage	2 kVrms/60s

MECHANICAL CHARACTERISTICS

Screw	M3
Recommended torque	0.5÷0.55 Nm / 4.5÷4.9 in.lbs

APPROVALS DATA



Current	-	-	UL 1059
Voltage	-	-	13.5 A factory / 10 A field
Wire section	-	-	300 V
Torque	-	-	16 ÷ 30 AWG
FILE	-	-	4.5 Lb-in
			E178356

MATERIALS

Housing	PA - UL 94 V0
Screw	Galvanized steel

Clamp
Terminal
SCIP Number
COLOURS

Nickel-plated copper alloy
Tin-plated copper alloy
d0ac85a5-a74a-41e4-ac05-3977aee87aff

Standard



On request



POLES

2
3

NAME

MVD152-5,08-V
MVD153-5,08-V

3D FILE

File available
File available