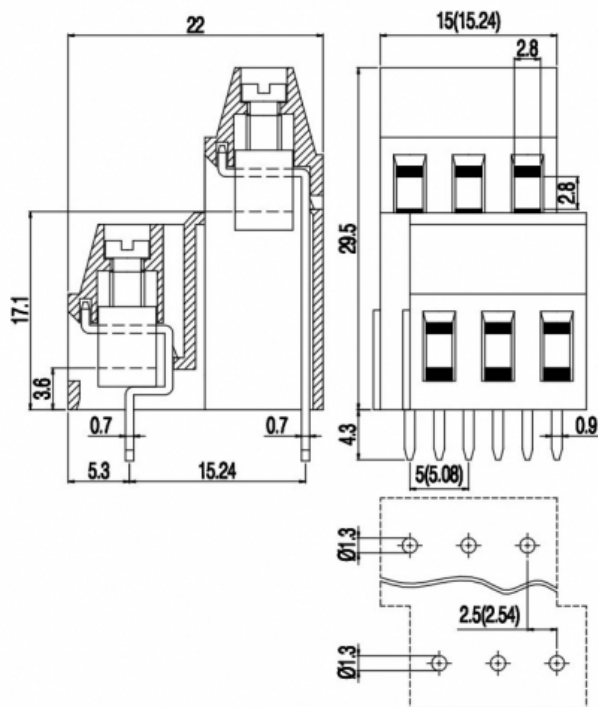


## MVD25\_-5-V

**GENERAL INFORMATION**

pitch	5 mm
Height	19.5 mm
Depth	22 mm
Dimensional class	Media
Wire section	2.5 mm <sup>2</sup> / 14 AWG
Clamp opening size	2.8 x 2.8 mm
Wire stripping	max 8 mm
Operating temperature	-40 ÷ +130 °C

**ELECTRICAL CHARACTERISTICS**

Current	16 A
Voltage	450 V
impulse voltage	2.5 kV

**MECHANICAL CHARACTERISTICS**

Screw	M3
Recommended torque	0.5÷0.55 Nm / 4.5÷4.9 in.lbs

**APPROVALS DATA**

	EN 60998-1	EN 60998-1	UL 1059
Current	16 A	16 A	16 A factory / 15 A field
Voltage	450 V	450 V	300 V
Wire section	2.5 mm <sup>2</sup>	2.5 mm <sup>2</sup>	14 AWG
Torque	0.5 Nm	0.5 Nm	4.5 Nm
FILE	EP149	40023956	E178356

**MATERIALS**

Housing	PA - UL 94 V0
Screw	Galvanized steel
Clamp	Nickel-plated copper alloy
Terminal	Tin-plated copper alloy
SCIP Number	d43eb503-c5ae-453d-8946-4a35d54d6478

**COLOURS**

Standard



On request



**POLES**

**NAME**

**3D FILE**

2	MVD252-5-V	File available
3	MVD253-5-V	File available