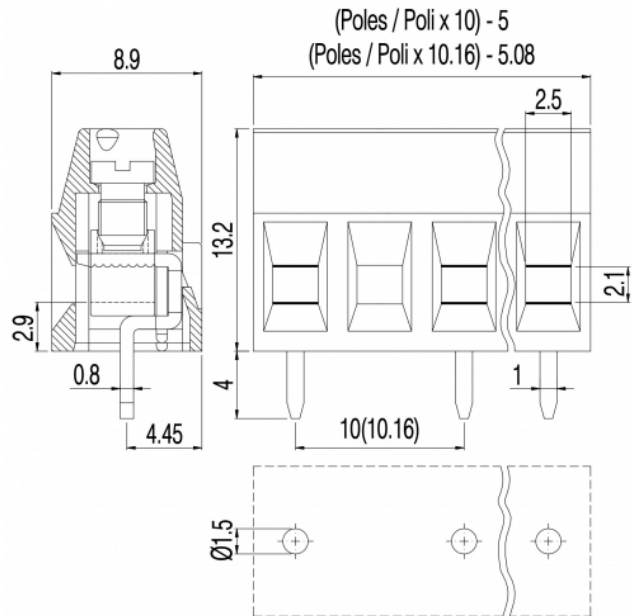
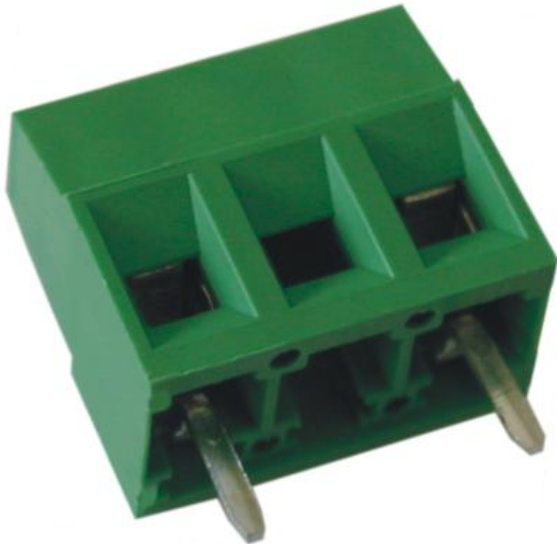


# MVS15\_-10-V-L



### GENERAL INFORMATION

pitch	10 mm
Height	13.5 mm
Depth	8.9 mm
Dimensional class	Bassa
Wire section	1.5 mm <sup>2</sup> / 16 AWG
Clamp opening size	2.5 x 3.1 mm
Wire stripping	max 7 mm
Operating temperature	-40 ÷ +130 °C

### ELECTRICAL CHARACTERISTICS

Current	17.5 A
Voltage	750 V
Test Voltage	3 kVrms/60s

### MECHANICAL CHARACTERISTICS

Screw	M3
Recommended torque	0.5 ÷ 0.55 Nm / 4.5 ÷ 4.9 in.lbs

### APPROVALS DATA



	<b>EN 60998-1</b>		<b>UL 1059</b>
Current	17.5 A	-	17.5 A factory / 10 A field
Voltage	750 V	-	600 V
Wire section	1.5 mm <sup>2</sup>	-	16 ÷ 30 AWG
Torque	0.5 Nm	-	4.5 Lb-in
FILE	CA02.00598	-	E178356

### MATERIALS

Housing	PA - UL 94 V0
Screw	Galvanized steel
Clamp	Nickel-plated copper alloy

Terminal  
SCIP Number  
**COLOURS**

Tin-plated copper alloy  
713ad43e-8dff-4607-9cfa-843d4a730153

Standard

On request



**POLES**

- 2
- 3
- 4
- 5
- 6

**NAME**

- MVS152-10-V-L
- MVS153-10-V-L
- MVS154-10-V-L
- MVS155-10-V-L
- MVS156-10-V-L

**3D FILE**

- File not available for this product
- File not available for this product
- File not available for this product
- File not available for this product
- File not available for this product