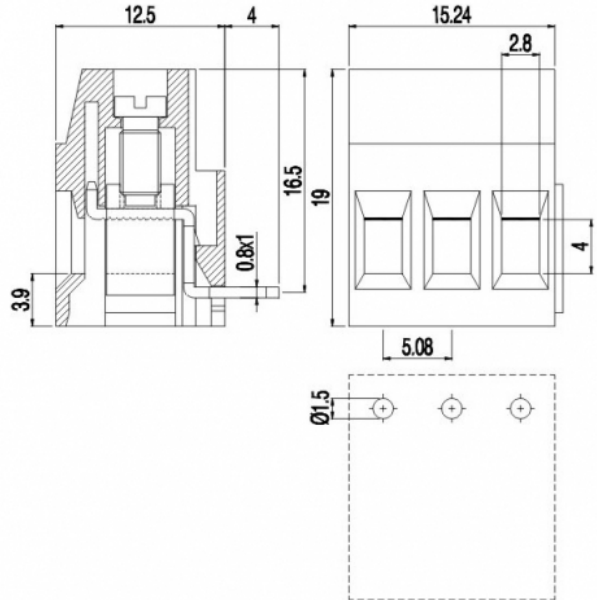


MVSP25_-5,08-H



GENERAL INFORMATION

pitch	5,08 mm
Height	19 mm
Depth	12.5 mm
Dimensional class	Media
Wire section	2.5 mm ² / 14 AWG
Clamp opening size	2.8 x 4 mm
Wire stripping	max 9.5 mm
Operating temperature	-40 ÷ +130 °C

ELECTRICAL CHARACTERISTICS

Current	24 A
Voltage	450 V
impulse voltage	2.5 kV

MECHANICAL CHARACTERISTICS

Screw	M3
Recommended torque	0.8÷0.88 Nm / 7.2÷7.9 in.lbs

APPROVALS DATA



	EN 60998-1		UL 1059
Current	24 A	-	18 A factory / 15 A field
Voltage	450 V	-	300 V
Wire section	2.5 mm ²	-	14 AWG
Torque	0.8 Nm	-	4.5 Lb-in

FILE CA02.00599 - E178356

MATERIALS

Housing	PA - UL 94 V0
Screw	Galvanized steel
Clamp	Nickel-plated copper alloy
Terminal	Tin-plated copper alloy
SCIP Number	4857c4e6-479f-4765-acd0-7361f5cc6333

COLOURS

Standard	On request					
						

POLES	NAME	3D FILE
2	MVSP252-5,08-H	File available
3	MVSP253-5,08-H	File available