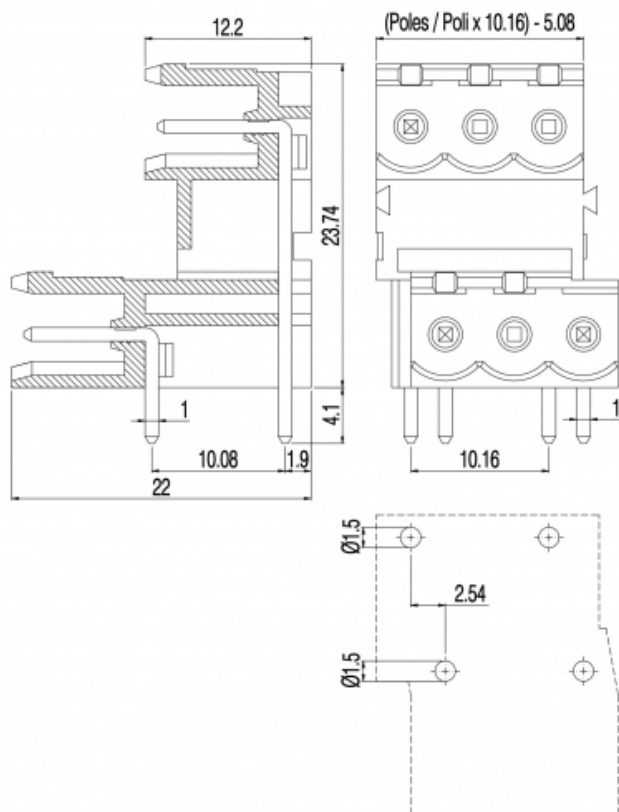


# PDSV\_\_-10,16-H



## GENERAL INFORMATION

pitch	10,16 mm
Height	23.74 mm
Depth	22 mm
Dimensional class	Media
Wire section	-
Clamp opening size	-
Wire stripping	-
Operating temperature	-40 ÷ +130 °C

## ELECTRICAL CHARACTERISTICS

Current	15 A
Voltage	500 V
impulse voltage	6 kV

## MECHANICAL CHARACTERISTICS

Screw	-
Recommended torque	-

## APPROVALS DATA



EN 61984

Current	15 A
Voltage	500 V
Wire section	-



EN 61984

15 A
500 V



UL 1059

12 A factory / 12 A field
600 V

Torque - - -  
FILE CA02.04178 40005779 E178356

**MATERIALS**

Housing PA - UL 94 V0  
Screw -  
Clamp -  
Terminal Tin-plated copper alloy

**COLOURS**

Standard

On request



**POLES**

**NAME**

**3D FILE**

01	PDSV01-10,16-H	File not available for this product
02	PDSV02-10,16-H	File not available for this product