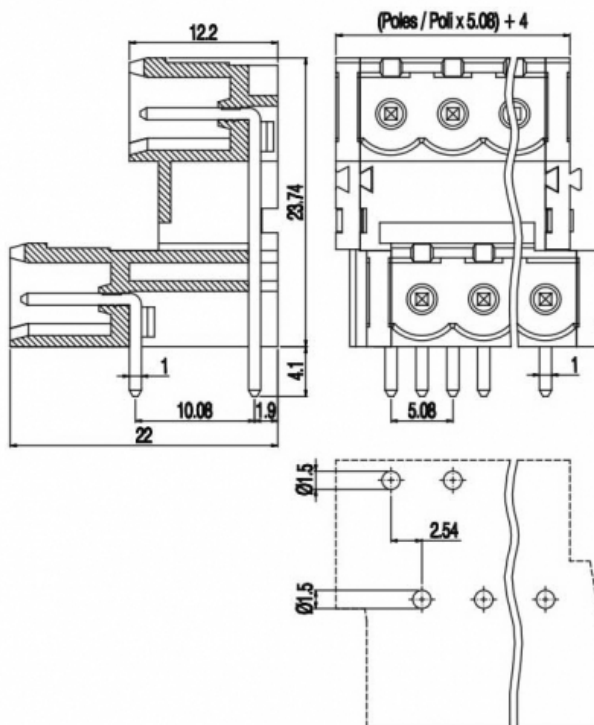
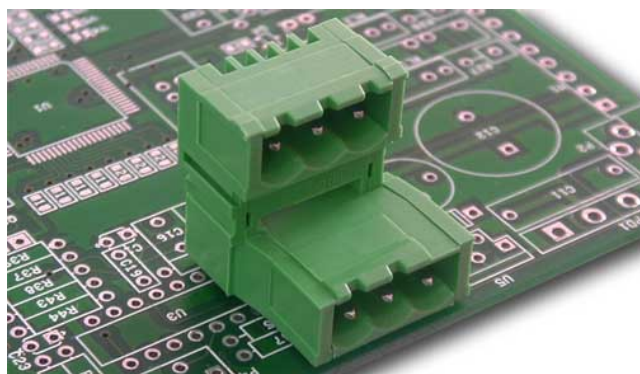


# PDSV\_\_-5,08-H-P



### GENERAL INFORMATION

|                       |               |
|-----------------------|---------------|
| pitch                 | 5,08 mm       |
| Height                | 23.74 mm      |
| Depth                 | 22 mm         |
| Dimensional class     | Media         |
| Wire section          | -             |
| Clamp opening size    | -             |
| Wire stripping        | -             |
| Operating temperature | -40 ÷ +130 °C |

### ELECTRICAL CHARACTERISTICS

|                 |       |
|-----------------|-------|
| Current         | 12 A  |
| Voltage         | 250 V |
| impulse voltage | 4 kV  |

### MECHANICAL CHARACTERISTICS

|                    |   |
|--------------------|---|
| Screw              | - |
| Recommended torque | - |

### APPROVALS DATA



|              |                 |                 |                           |
|--------------|-----------------|-----------------|---------------------------|
|              | <b>EN 61984</b> | <b>EN 61984</b> | <b>UL 1059</b>            |
| Current      | 12 A            | 12 A            | 12 A factory / 12 A field |
| Voltage      | 250 V           | 250 V           | 300 V                     |
| Wire section | -               | -               | -                         |
| Torque       | -               | -               | -                         |
| FILE         | CA02.04178      | 40005779        | E178356                   |

**MATERIALS**

Housing PA - UL 94 V0  
Screw -  
Clamp -  
Terminal Tin-plated copper alloy

**COLOURS**

Standard



On request



**POLES**

**NAME**

**3D FILE**

|    |                 |                |
|----|-----------------|----------------|
| 02 | PDSV02-5,08-H-P | File available |
| 03 | PDSV03-5,08-H-P | File available |