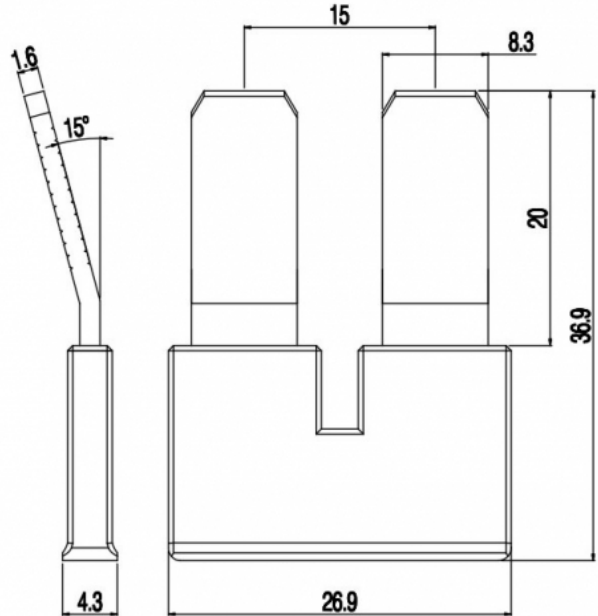
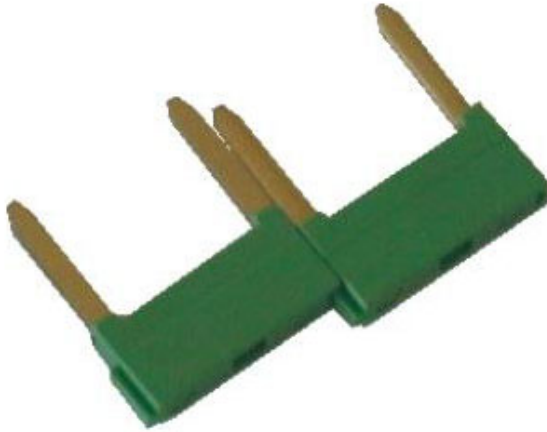


PTP15



GENERAL INFORMATION

pitch	15 mm
Height	16.9 mm
Depth	4.3 mm
Dimensional class	n/a
Wire section	-
Clamp opening size	-
Wire stripping	-
Operating temperature	-40 ÷ +130 °C

ELECTRICAL CHARACTERISTICS

Current	125 A
Voltage	- V
Test Voltage	- kVrms/60s

MECHANICAL CHARACTERISTICS

Screw	-
Recommended torque	-

APPROVALS DATA



Current	-	-	-
Voltage	-	-	-
Wire section	-	-	-
Torque	-	-	-
FILE	-	-	-

MATERIALS

Housing	PA - UL 94 V0
Screw	-

Clamp
Terminal
COLOURS

-
Copper alloy

Standard

On request

