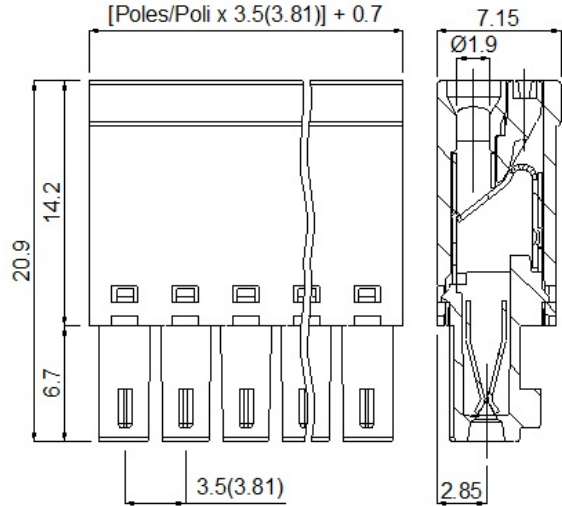
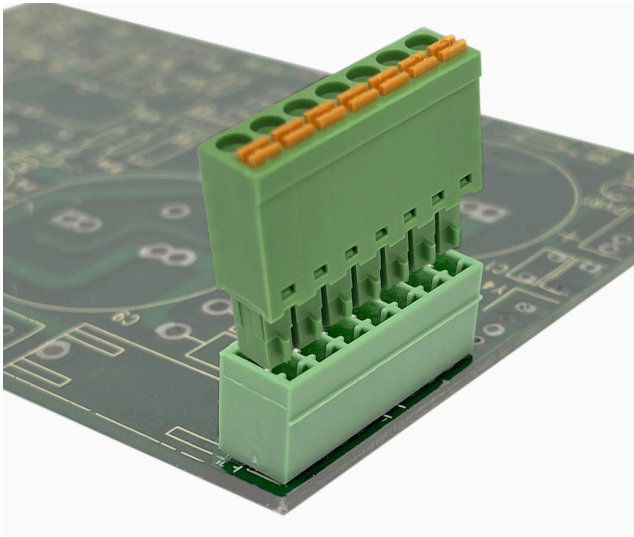


# SHM\_\_-3,81-E



### GENERAL INFORMATION

pitch	3,81 mm
Height	21.9 mm
Depth	7.15 mm
Dimensional class	Bassa
Wire section	1,5 mm <sup>2</sup> / 16 AWG
Clamp opening size	-
Wire stripping	max 12 mm
Operating temperature	-40 ÷ +130 °C

### ELECTRICAL CHARACTERISTICS

Current	8 A
Voltage	160 V
Test Voltage	2,5 kVrms/60s

### MECHANICAL CHARACTERISTICS

Screw	-
Recommended torque	-

### APPROVALS DATA



Current	-	-	-
Voltage	-	-	-
Wire section	-	-	-
Torque	-	-	-
FILE	-	-	-

### MATERIALS

Housing	PA - UL 94 V0
Screw	-
Clamp	-
Terminal	Copper alloy

**COLOURS**

Standard



On request



**POLES**

**NAME**

**3D FILE**

02	SHM02-3,81-E	File not available for this product
03	SHM03-3,81-E	File not available for this product
04	SHM04-3,81-E	File not available for this product
05	SHM05-3,81-E	File not available for this product
06	SHM06-3,81-E	File not available for this product
07	SHM07-3,81-E	File not available for this product
08	SHM08-3,81-E	File not available for this product
09	SHM09-3,81-E	File not available for this product
10	SHM10-3,81-E	File not available for this product
11	SHM11-3,81-E	File not available for this product
12	SHM12-3,81-E	File not available for this product
13	SHM13-3,81-E	File not available for this product
14	SHM14-3,81-E	File not available for this product
15	SHM15-3,81-E	File not available for this product
16	SHM16-3,81-E	File not available for this product
17	SHM17-3,81-E	File not available for this product
18	SHM18-3,81-E	File not available for this product
19	SHM19-3,81-E	File not available for this product
20	SHM20-3,81-E	File not available for this product
21	SHM21-3,81-E	File not available for this product
22	SHM22-3,81-E	File not available for this product
23	SHM23-3,81-E	File not available for this product
24	SHM24-3,81-E	File not available for this product