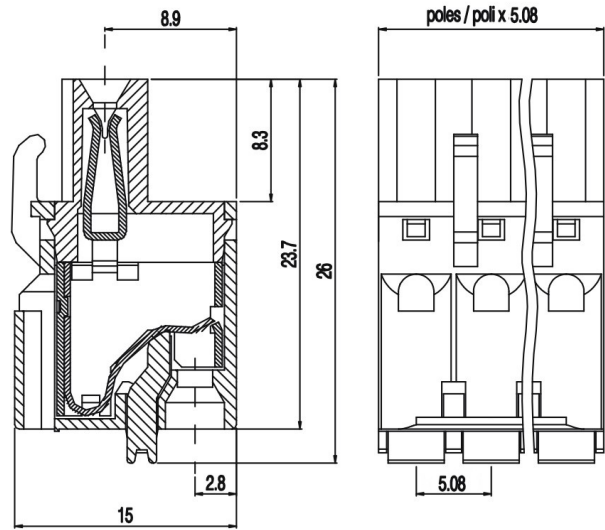


SHM__-5,08



GENERAL INFORMATION

pitch	5,08 mm
Height	15 mm
Depth	23.7 mm
Dimensional class	Media
Wire section	2.5 mm ² / 14 AWG
Clamp opening size	-
Wire stripping	max 10 mm
Operating temperature	-40 ÷ +130 °C

ELECTRICAL CHARACTERISTICS

Current	12 A
Voltage	250 V
impulse voltage	4 kV

MECHANICAL CHARACTERISTICS

Screw	-
Recommended torque	-

APPROVALS DATA



Current	-	-	UL 1059
Voltage	-	-	16 A factory / 16 A field
Wire section	-	-	300 V
Torque	-	-	12 AWG
FILE	-	-	-
			E178356

MATERIALS

Housing	PA - UL 94 V0
Screw	-
Clamp	-
Terminal	Tin-plated copper alloy

COLOURS

Standard



On request



POLES	NAME	3D FILE
02	SHM02-5,08	File available
03	SHM03-5,08	File not available for this product
04	SHM04-5,08	File available
05	SHM05-5,08	File available
06	SHM06-5,08	File available
07	SHM07-5,08	File not available for this product
08	SHM08-5,08	File available
09	SHM09-5,08	File available
10	SHM10-5,08	File available
11	SHM11-5,08	File not available for this product
12	SHM12-5,08	File not available for this product
13	SHM13-5,08	File not available for this product
14	SHM14-5,08	File not available for this product
15	SHM15-5,08	File not available for this product
16	SHM16-5,08	File not available for this product
17	SHM17-5,08	File not available for this product
18	SHM18-5,08	File not available for this product
19	SHM19-5,08	File not available for this product
20	SHM20-5,08	File not available for this product
21	SHM21-5,08	File not available for this product
22	SHM22-5,08	File not available for this product
23	SHM23-5,08	File not available for this product
24	SHM24-5,08	File not available for this product