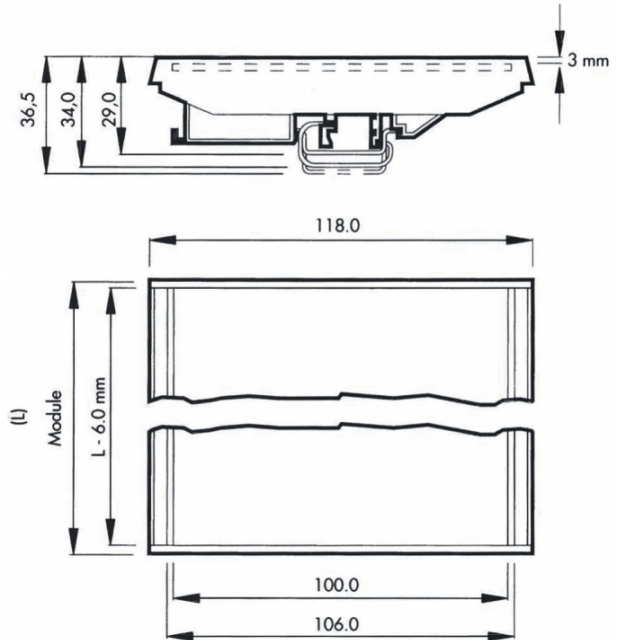
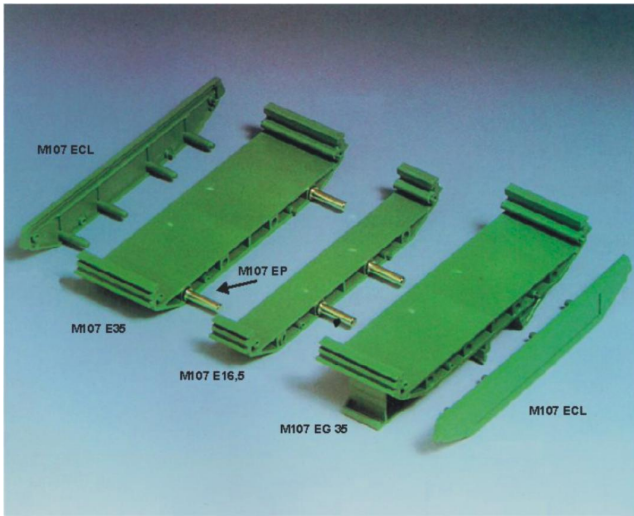


M-107



GENERAL INFORMATION

- pitch -
- Height -
- Depth -
- Dimensional class -
- Wire section -
- Clamp opening size -
- Wire stripping -
- Operating temperature -

ELECTRICAL CHARACTERISTICS

- Current -
- Voltage -
- Test Voltage -

MECHANICAL CHARACTERISTICS

- Screw -
- Recommended torque -

APPROVALS DATA



- | | | | |
|--------------|---|---|---|
| Current | - | - | - |
| Voltage | - | - | - |
| Wire section | - | - | - |
| Torque | - | - | - |
| FILE | - | - | - |

MATERIALS

- Housing -
- Screw -

PA - UL 94 V0

Clamp
Terminal

-
-

COLOURS

Standard

On request

