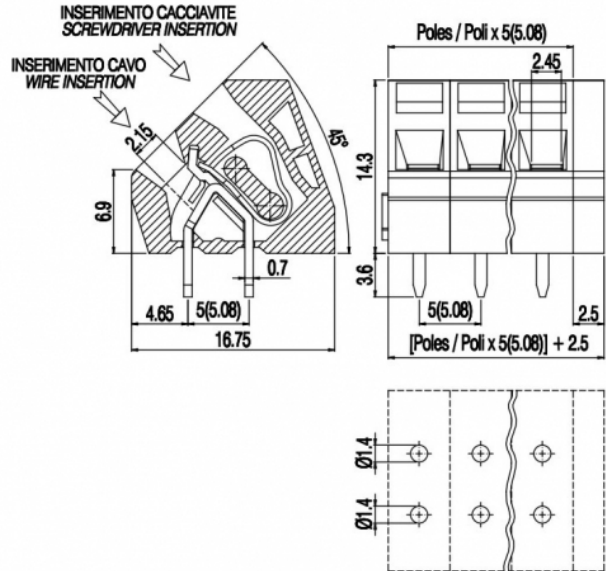


MG1__-5,08



GENERAL INFORMATION

pitch	5,08 mm
Height	14,3 mm
Depth	16,75 mm
Dimensional class	Bassa
Wire section	2,5 mm ² / 14 AWG
Clamp opening size	2,45 x 2,45 mm
Wire stripping	max 9 mm
Operating temperature	-40 ÷ +130 °C

ELECTRICAL CHARACTERISTICS

Current	24 A
Voltage	250 V
impulse voltage	2 kV

MECHANICAL CHARACTERISTICS

Screw	-
Recommended torque	-

APPROVALS DATA



Current	-	-	UL 1059
Voltage	-	-	17 A factory / 17 A field
Wire section	-	-	300 V
Torque	-	-	12 AWG
	-	-	-

FILE - - E178356

MATERIALS

Housing PA - UL 94 V0
 Screw -
 Spring Spring steel
 Terminal Tin-plated copper alloy

COLOURS

Standard



On request



POLES	NAME	3D FILE
01	MG101-5,08	File available
02	MG102-5,08	File not available for this product
03	MG103-5,08	File not available for this product
04	MG104-5,08	File not available for this product
05	MG105-5,08	File not available for this product
06	MG106-5,08	File not available for this product
07	MG107-5,08	File not available for this product
08	MG108-5,08	File not available for this product
09	MG109-5,08	File not available for this product
10	MG110-5,08	File not available for this product
11	MG111-5,08	File not available for this product
12	MG112-5,08	File not available for this product
13	MG113-5,08	File not available for this product
14	MG114-5,08	File not available for this product
15	MG115-5,08	File not available for this product
16	MG116-5,08	File not available for this product
17	MG117-5,08	File not available for this product
18	MG118-5,08	File not available for this product
19	MG119-5,08	File not available for this product
20	MG120-5,08	File not available for this product
21	MG121-5,08	File not available for this product
22	MG122-5,08	File not available for this product
23	MG123-5,08	File not available for this product