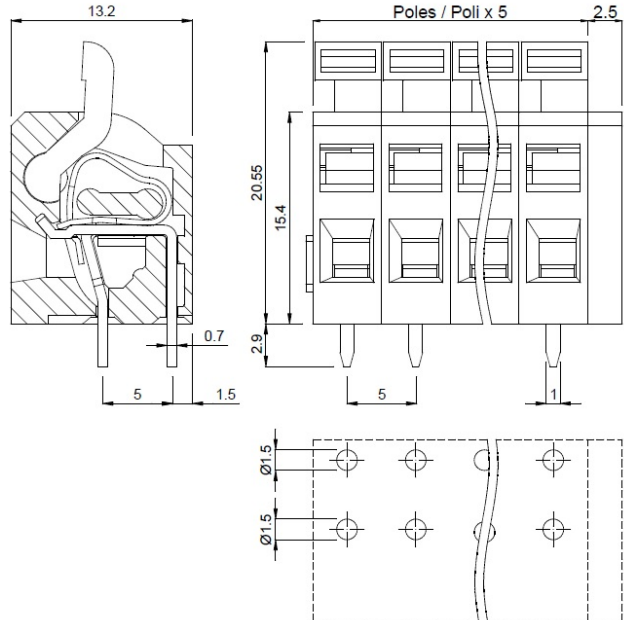
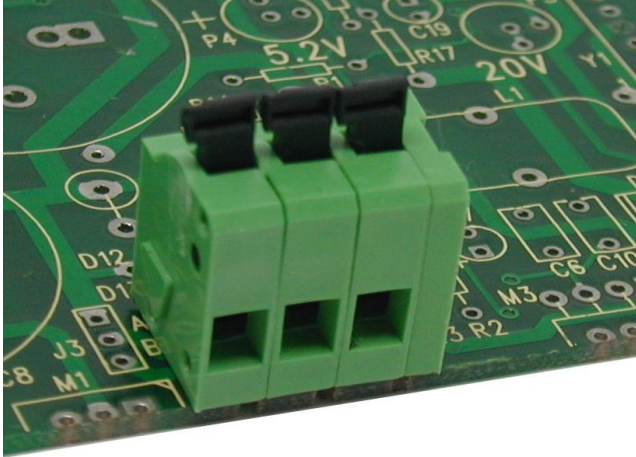


# MG1\_\_-5-H-P



**GENERAL INFORMATION**

pitch	5 mm
Height	13.2 mm
Depth	15.4 mm
Dimensional class	Bassa
Wire section	2.5 mm <sup>2</sup> / 14 AWG
Clamp opening size	2.55 x 2.15 mm
Wire stripping	max 9 mm
Operating temperature	-40 ÷ +130 °C

**ELECTRICAL CHARACTERISTICS**

Current	24 A
Voltage	450 V
Test Voltage	2,5 kVrms/60s

**MECHANICAL CHARACTERISTICS**

Screw	-
Recommended torque	-

**APPROVALS DATA**



Current	-	-	<b>UL 1059</b>
Voltage	-	-	17 A factory / 17 A field
Wire section	-	-	300 V
Torque	-	-	12 ÷ 30 AWG
FILE	-	-	-
			E178356

**MATERIALS**

Housing	PA - UL 94 V0
Screw	-
Spring	Spring steel

Tin-plated copper alloy

Terminal  
COLOURS

Standard



On request



**POLES**

	<b>NAME</b>	<b>3D FILE</b>
01	MG101-5-H-P	File not available for this product
02	MG102-5-H-P	File not available for this product
03	MG103-5-H-P	File not available for this product
04	MG104-5-H-P	File not available for this product
05	MG105-5-H-P	File not available for this product
06	MG106-5-H-P	File not available for this product
07	MG107-5-H-P	File not available for this product
08	MG108-5-H-P	File not available for this product
09	MG109-5-H-P	File not available for this product
10	MG110-5-H-P	File not available for this product
11	MG111-5-H-P	File not available for this product
12	MG112-5-H-P	File not available for this product
13	MG113-5-H-P	File not available for this product
14	MG114-5-H-P	File not available for this product
15	MG115-5-H-P	File not available for this product
16	MG116-5-H-P	File not available for this product
17	MG117-5-H-P	File not available for this product
18	MG118-5-H-P	File not available for this product
19	MG119-5-H-P	File not available for this product
20	MG120-5-H-P	File not available for this product
21	MG121-5-H-P	File not available for this product
22	MG122-5-H-P	File not available for this product
23	MG123-5-H-P	File not available for this product