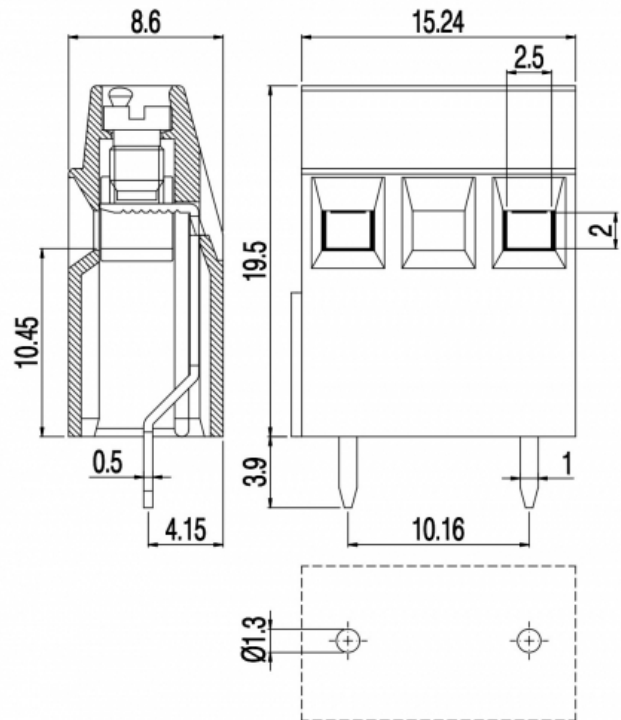
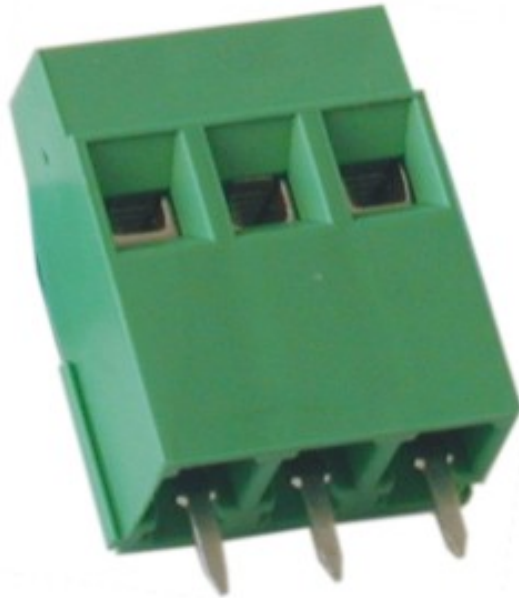


MMT15_-10,16-V



GENERAL INFORMATION

pitch	10,16 mm
Height	19.5 mm
Depth	8.6 mm
Dimensional class	Bassa
Wire section	1.5 mm ² / 16 AWG
Clamp opening size	2.5 x 2 mm
Wire stripping	max 6 mm
Operating temperature	-40 ÷ +130 °C

ELECTRICAL CHARACTERISTICS

Current	13.5 A
Voltage	750 V
impulse voltage	3 kV

MECHANICAL CHARACTERISTICS

Screw	M3
Recommended torque	0.5±0.55 Nm / 4.5±4.9 in.lbs

APPROVALS DATA



Current	-	-	UL 1059
Voltage	-	-	13.5 A factory / 10 A field
Wire section	-	-	600 V
Torque	-	-	16 AWG
FILE	-	-	4.5 Lb-in
			E178356

MATERIALS

Housing	PA - UL 94 V0
Screw	Galvanized steel
Clamp	Nickel-plated copper alloy
Terminal	Tin-plated copper alloy
SCIP Number	e10e91b8-6da2-4ad0-8f2d-fe103248bf2

COLOURS



On request



POLES

NAME

3D FILE

1	MMT151-10,16-V	File not available for this product
2	MMT152-10,16-V	File not available for this product