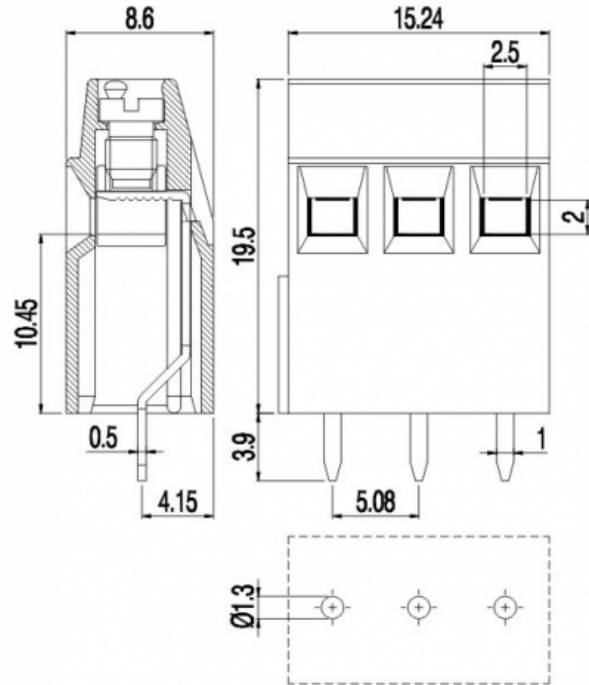
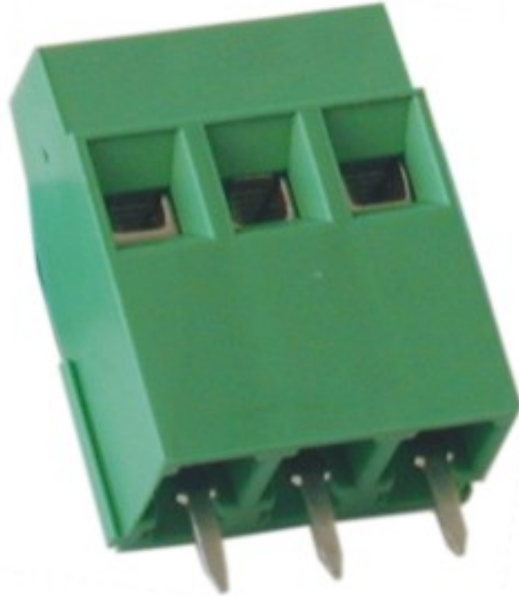


# MMT15\_-5,08-V



## GENERAL INFORMATION

pitch	5,08 mm
Height	19,5 mm
Depth	8,6 mm
Dimensional class	Bassa
Wire section	1,5 mm <sup>2</sup> / 16 AWG
Clamp opening size	2,5 x 2 mm
Wire stripping	max 6 mm
Operating temperature	-40 ÷ +130 °C

## ELECTRICAL CHARACTERISTICS

Current	13,5 A
Voltage	250 V
impulse voltage	2 kV

## MECHANICAL CHARACTERISTICS

Screw	M3
Recommended torque	0,5÷0,55 Nm / 4,5÷4,9 in.lbs

## APPROVALS DATA



Current	-	-	<b>UL 1059</b> 13,5 A factory / 10 A field
Voltage	-	-	300 V
Wire section	-	-	16 AWG
Torque	-	-	4,5 Lb-in
FILE	-	-	E178356

## MATERIALS

Housing  
Screw  
Clamp  
Terminal  
SCIP Number

PA - UL 94 V0  
Galvanized steel  
Nickel-plated copper alloy  
Tin-plated copper alloy  
e10e91b8-6da2-4ad0-8f2d-fe103248fbf2

**COLOURS**

Standard



On request



**POLES**

**NAME**

**3D FILE**

2	MMT152-5,08-V	File available
3	MMT153-5,08-V	File available