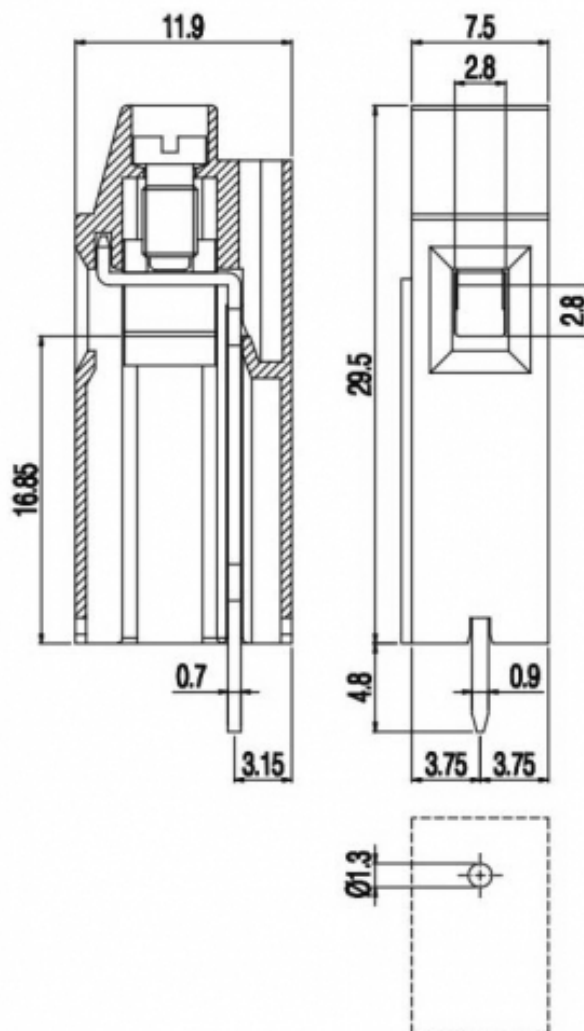
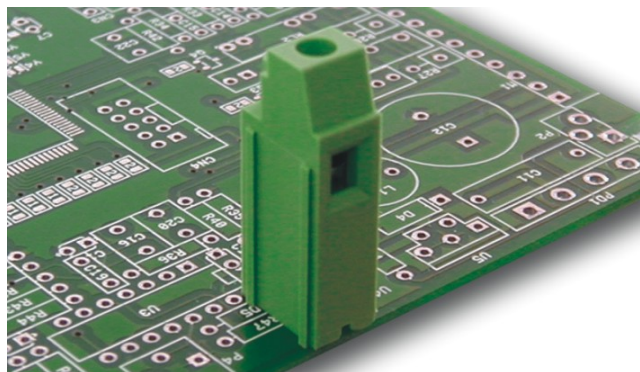


MMT27_-7,5-V

**GENERAL INFORMATION**

pitch	7,5 mm
Height	34.35 mm
Depth	11.9 mm
Dimensional class	Media
Wire section	2.5 mm ² / 14 AWG
Clamp opening size	2.8 x 2.8 mm
Wire stripping	max 8 mm
Operating temperature	-40 ÷ +130 °C

ELECTRICAL CHARACTERISTICS

Current	24 A
Voltage	300 V
Test Voltage	3 kVrms/60s

MECHANICAL CHARACTERISTICS

Screw	M3
Recommended torque	0.5÷0.55 Nm / 4.5÷4.9 in.lbs

APPROVALS DATA



Current	-	-	-
Voltage	-	-	-
Wire section	-	-	-
Torque	-	-	-
FILE	-	-	-

MATERIALS

Housing	PA - UL 94 V0
Screw	Galvanized steel
Clamp	Nickel-plated copper alloy
Terminal	Tin-plated copper alloy
SCIP Number	1bbd7102-17b5-4ee3-8d3a-a595ec130d37

COLOURS

Standard



On request



POLES

1

NAME

MMT271-7,5-V

3D FILE

File not available for this product