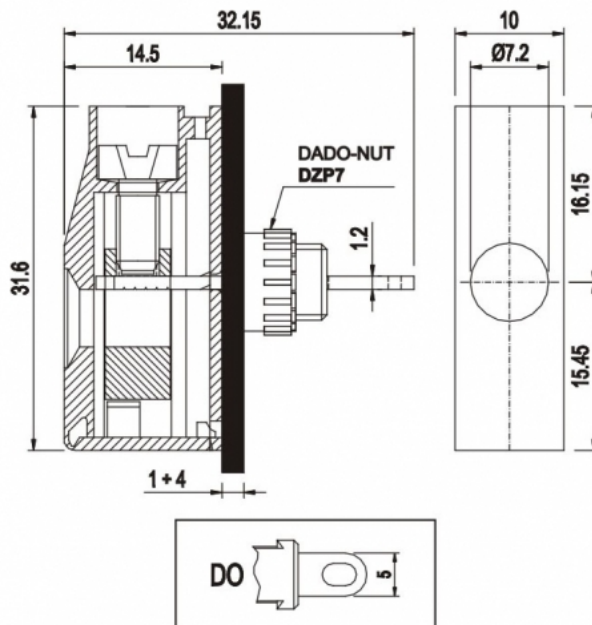


MPT1010-D-O



GENERAL INFORMATION

pitch	10 mm
Height	31.6 mm
Depth	14.5 mm
Dimensional class	n/a
Wire section	10 mm ² / 8 AWG
Clamp opening size	-
Wire stripping	max 13.5 mm
Operating temperature	-40 ÷ +130 °C

ELECTRICAL CHARACTERISTICS

Current	57 A
Voltage	450 V
Test Voltage	-

MECHANICAL CHARACTERISTICS

Screw	M4
Recommended torque	1.2 ÷ 1.32 Nm / 10.8 ÷ 11.9 in.lbs

APPROVALS DATA



	EN 60998-1	EN 60998-1	UL 1059
Current	57 A	57 A	65 A factory / 65 A field
Voltage	450 V	450 V	600 V
Wire section	10 mm ²	10 mm ²	6 ÷ 30 AWG
Torque	1.2 Nm	1.2 Nm	15.8 Lb-in

FILE

CA02.01616

40014733

E178356

MATERIALS

Housing

Screw

Clamp

Terminal

PA - UL 94 V0

Galvanized steel

Nickel-plated copper alloy

Tin-plated copper alloy

COLOURS

Standard



On request

