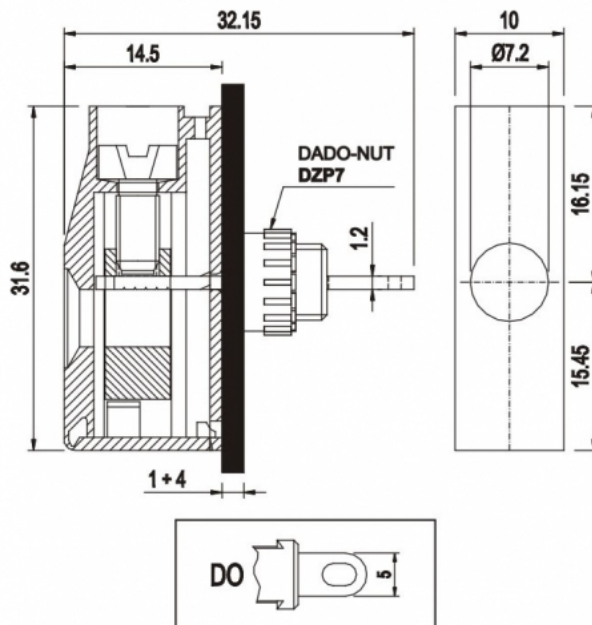


# MPT1010-D-O



## GENERAL INFORMATION

pitch	10 mm
Height	31.6 mm
Depth	14.5 mm
Dimensional class	n/a
Wire section	10 mm <sup>2</sup> / 8 AWG
Clamp opening size	-
Wire stripping	max 13.5 mm
Operating temperature	-40 ÷ +130 °C

## ELECTRICAL CHARACTERISTICS

Current	57 A
Voltage	450 V

## MECHANICAL CHARACTERISTICS

Screw	M4
Recommended torque	1.2 ÷ 1.32 Nm / 10.8 ÷ 11.9 in.lbs

## APPROVALS DATA



	EN 60998-1	EN 60998-1	UL 1059
Current	57 A	57 A	65 A factory / 65 A field
Voltage	450 V	450 V	600 V
Wire section	10 mm <sup>2</sup>	10 mm <sup>2</sup>	6 AWG
Torque	1.2 Nm	1.2 Nm	15.8 Lb-in

FILE CA02.01616 40014733 E178356

**MATERIALS**

Housing PA - UL 94 V0  
Screw Galvanized steel  
Clamp Nickel-plated copper alloy  
Terminal Tin-plated copper alloy

**COLOURS**

Standard



On request

