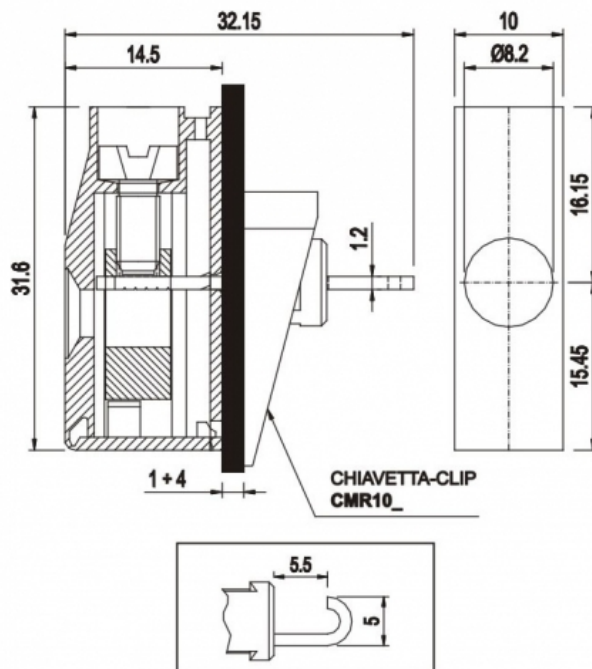


# MPT610



## GENERAL INFORMATION

pitch	10 mm
Height	31.6 mm
Depth	14.5 mm
Dimensional class	Alta
Wire section	6.0 mm <sup>2</sup> / 10 AWG
Clamp opening size	-
Wire stripping	max 13.5 mm
Operating temperature	-40 ÷ +130 °C

## ELECTRICAL CHARACTERISTICS

Current	41 A
Voltage	450 V
Test Voltage	2.5 kVrms/60s

## MECHANICAL CHARACTERISTICS

Screw	M4
Recommended torque	1.2 ÷ 1.32 Nm / 10.8 ÷ 11.9 in.lbs

## APPROVALS DATA



	<b>EN 60998-1</b>	<b>EN 60998-1</b>	<b>UL 1059</b>
Current	41 A	41 A	50 A factory / 50 A field
Voltage	450 V	450 V	600 V
Wire section	6.0 mm <sup>2</sup>	6.0 mm <sup>2</sup>	8 ÷ 30 AWG
Torque	1.2 Nm	1.2 Nm	15.8 Lb-in
FILE	CA02.01615	40014733	E178356

**MATERIALS**

Housing

Screw

Clamp

Terminal

SCIP Number

PA - UL 94 V0  
Galvanized steel  
Nickel-plated copper alloy  
Tin-plated copper alloy  
682bc9e2-387e-4e6a-8f33-35e318bd211c

**COLOURS**

Standard



On request



**POLES**

01

**NAME**

MPT610

**3D FILE**

File available