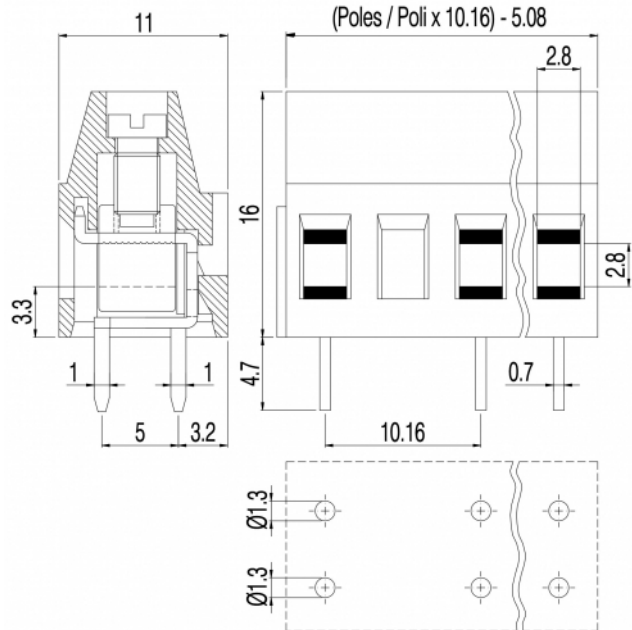
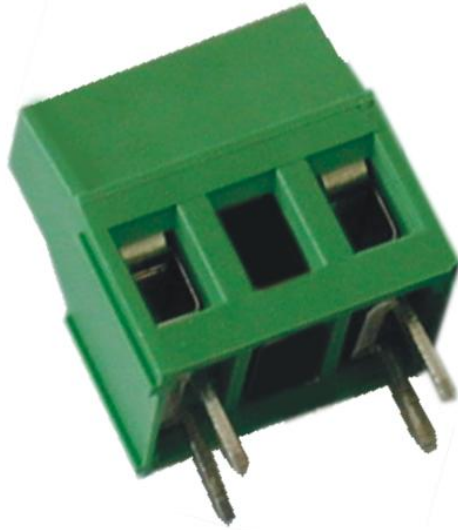


MV25D_-10,16-V



GENERAL INFORMATION

pitch	10,16 mm
Height	16 mm
Depth	11 mm
Dimensional class	Media
Wire section	2.5 mm ² / 14 AWG
Clamp opening size	2.8 x 2.8 mm
Wire stripping	max 8 mm
Operating temperature	-40 ÷ +130 °C

ELECTRICAL CHARACTERISTICS

Current	24 A
Voltage	750 V
Test Voltage	3 kVrms/60s

MECHANICAL CHARACTERISTICS

Screw	M3
Recommended torque	0.8÷0.88 Nm / 7.2÷7.9 in.lbs

APPROVALS DATA



	EN 60998-1		UL 1059
Current	24 A	-	18 A factory / 15 A field
Voltage	750 V	-	300 V
Wire section	2.5 mm ²	-	14 ÷ 30 AWG
Torque	0.8 Nm	-	4.5 Lb-in
FILE	CA02.00599	-	E178356

MATERIALS

Housing	PA - UL 94 V0
Screw	Galvanized steel
Clamp	Nickel-plated copper alloy

Terminal
SCIP Number
COLOURS

Tin-plated copper alloy
2ac6f6ad-4e84-41b5-a9bc-100a23dd428c



On request



POLES

- 1
- 2
- 4

NAME

- MV25D1-10,16-V
- MV25D2-10,16-V
- MV25D4-10,16-V

3D FILE

- File not available for this product
- File not available for this product
- File not available for this product