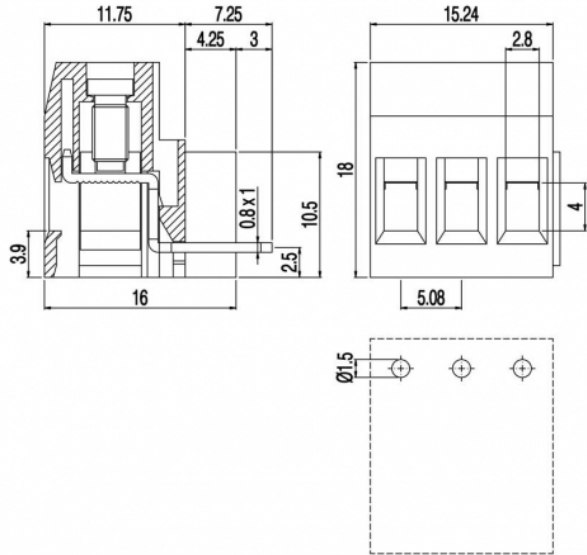
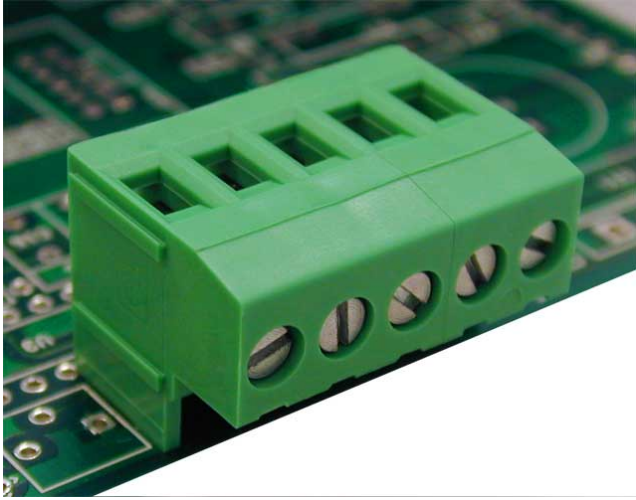


MVS25_-5,08-HS



GENERAL INFORMATION

pitch	5,08 mm
Height	16 mm
Depth	18 mm
Dimensional class	Media
Wire section	2.5 mm ² / 14 AWG
Clamp opening size	2.8 x 4 mm
Wire stripping	max 8.5 mm
Operating temperature	-40 ÷ +130 °C

ELECTRICAL CHARACTERISTICS

Current	24 A
Voltage	450 V
impulse voltage	2,5 kV

MECHANICAL CHARACTERISTICS

Screw	M3
Recommended torque	0.8÷0.88 Nm / 7.2÷7.9 in.lbs

APPROVALS DATA



	EN 60998-1		UL 1059
Current	24 A	-	18 A factory / 15 A field
Voltage	450 V	-	300 V
Wire section	2.5 mm ²	-	14 AWG
Torque	0.8 Nm	-	4.5 Lb-in
FILE	CA02.00599	-	E178356

MATERIALS

Housing	PA - UL 94 V0
Screw	Galvanized steel
Clamp	Nickel-plated copper alloy
Terminal	Tin-plated copper alloy

SCIP Number

543da972-1465-4e54-b346-2839c48b6deb

COLOURS

Standard



On request



POLES

NAME

3D FILE

2
3

MVS252-5,08-HS
MVS253-5,08-HS

File not available for this product
File not available for this product