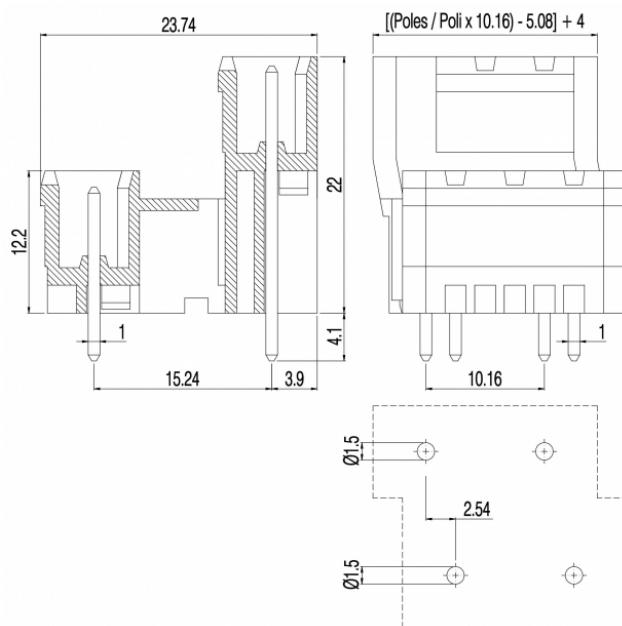
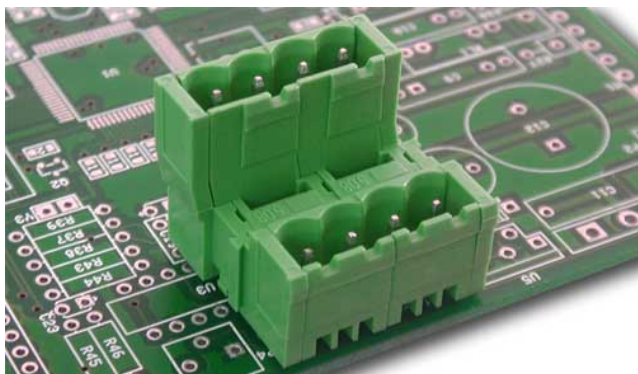


# PDSV\_\_-10,16-V-P



## GENERAL INFORMATION

pitch	10,16 mm
Height	22 mm
Depth	23.74 mm
Dimensional class	Media
Wire section	-
Clamp opening size	-
Wire stripping	-
Operating temperature	-40 ÷ +130 °C

## ELECTRICAL CHARACTERISTICS

Current	15 A
Voltage	500 V
Test Voltage	6 kVrms/60s

## MECHANICAL CHARACTERISTICS

Screw	-
Recommended torque	-

## APPROVALS DATA



	<b>EN 61984</b>	<b>EN 61984</b>	<b>UL 1059</b>
Current	15 A	15 A	12 A factory / 12 A field
Voltage	500 V	500 V	600 V
Wire section	-	-	-
Torque	-	-	-
FILE	CA02.04178	40005779	E178356

## MATERIALS

Housing	PA - UL 94 V0
Screw	-
Clamp	-

Tin-plated copper alloy

Terminal  
**COLOURS**



On request



**POLES**

01  
02

**NAME**

PDSV01-10,16-V-P  
PDSV02-10,16-V-P

**3D FILE**

File not available for this product  
File not available for this product