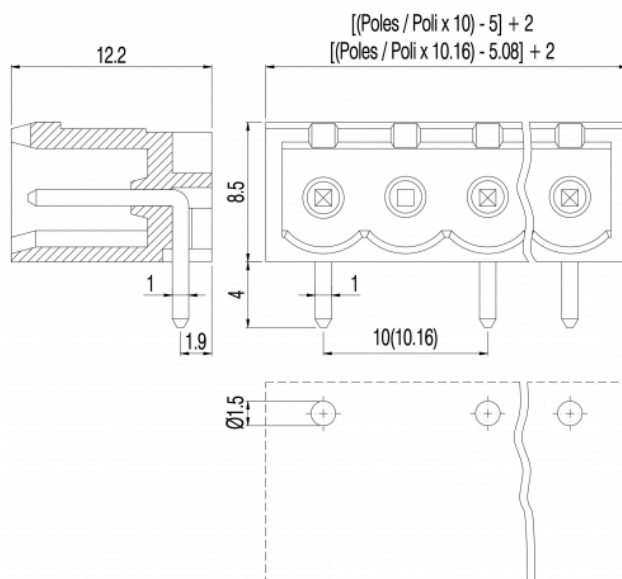
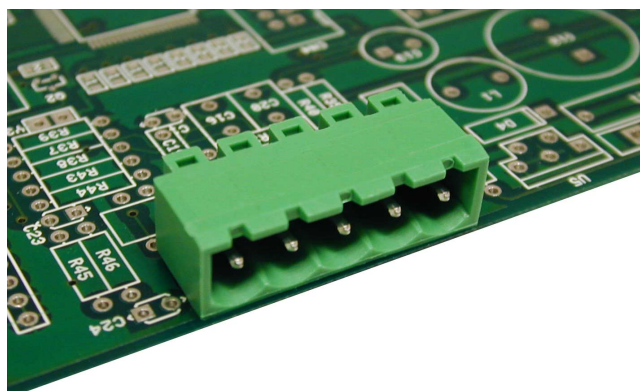


PV__-10-H-P



GENERAL INFORMATION

pitch	10 mm
Height	8.5 mm
Depth	12.2 mm
Dimensional class	Media
Wire section	-
Clamp opening size	-
Wire stripping	-
Operating temperature	-40 ÷ +130 °C

ELECTRICAL CHARACTERISTICS

Current	15 A
Voltage	500 V
Test Voltage	6 kVrms/60s

MECHANICAL CHARACTERISTICS

Screw	-
Recommended torque	-

APPROVALS DATA



	EN 61984	EN 61984	UL 1059
Current	15 A	15 A	12 A factory / 12 A field
Voltage	500 V	500 V	600 V
Wire section	-	-	-
Torque	-	-	-
FILE	CA02.04178	40005779	E178356

MATERIALS

Housing	PA - UL 94 V0
Screw	-
Clamp	-
Terminal	Tin-plated copper alloy

COLOURS

Standard



On request



POLES

- 02
- 03
- 04
- 05
- 06
- 07
- 08
- 09
- 10
- 11
- 12

NAME

- PV02-10-H-P
- PV03-10-H-P
- PV04-10-H-P
- PV05-10-H-P
- PV06-10-H-P
- PV07-10-H-P
- PV08-10-H-P
- PV09-10-H-P
- PV10-10-H-P
- PV11-10-H-P
- PV12-10-H-P

3D FILE

- File available
- File available
- File available
- File available
- File available
- File not available for this product
- File not available for this product
- File not available for this product
- File not available for this product
- File not available for this product
- File not available for this product