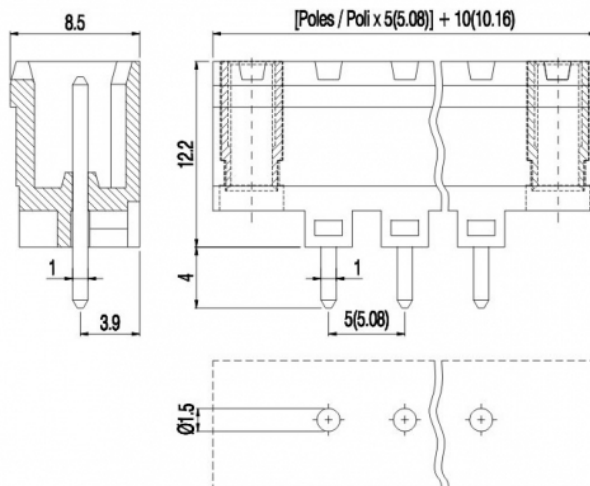
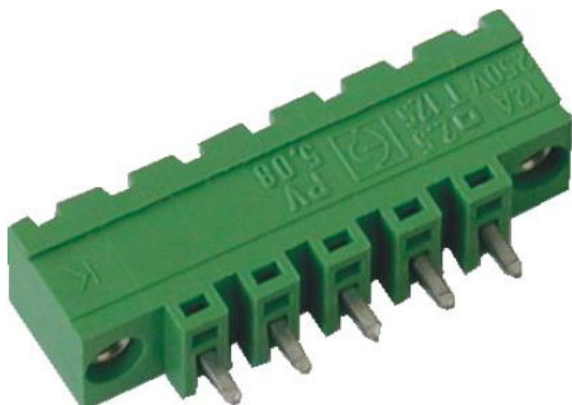


PV__-5-V-K



GENERAL INFORMATION

pitch	5 mm
Height	12.2 mm
Depth	8.5 mm
Dimensional class	Media
Wire section	-
Clamp opening size	-
Wire stripping	-
Operating temperature	-40 ÷ +130 °C

ELECTRICAL CHARACTERISTICS

Current	16 A
Voltage	250 V
Test Voltage	4 kVrms/60s

MECHANICAL CHARACTERISTICS

Screw	-
Recommended torque	-

APPROVALS DATA



	EN 61984	EN 61984	UL 1059
Current	16 A	12 A	16 A factory / 16 A field
Voltage	250 V	250 V	300 V
Wire section	-	-	-
Torque	-	-	-
FILE	CA02.04178	40005779	E178356

MATERIALS

Housing	PA - UL 94 V0
Screw	-
Clamp	-
Terminal	Tin-plated copper alloy
SCIP Number	0086c05b-2b6e-457a-b57e-4d998c8f5f0d

COLOURS

Standard

On request



POLES

NAME

3D FILE

02	PV02-5-V-K	File not available for this product
03	PV03-5-V-K	File not available for this product
04	PV04-5-V-K	File not available for this product
05	PV05-5-V-K	File not available for this product
06	PV06-5-V-K	File not available for this product
07	PV07-5-V-K	File not available for this product
08	PV08-5-V-K	File not available for this product
09	PV09-5-V-K	File not available for this product
10	PV10-5-V-K	File not available for this product
11	PV11-5-V-K	File not available for this product
12	PV12-5-V-K	File not available for this product
13	PV13-5-V-K	File not available for this product
14	PV14-5-V-K	File not available for this product
15	PV15-5-V-K	File not available for this product
16	PV16-5-V-K	File not available for this product
17	PV17-5-V-K	File not available for this product
18	PV18-5-V-K	File not available for this product
19	PV19-5-V-K	File not available for this product
20	PV20-5-V-K	File not available for this product
21	PV21-5-V-K	File not available for this product
22	PV22-5-V-K	File not available for this product