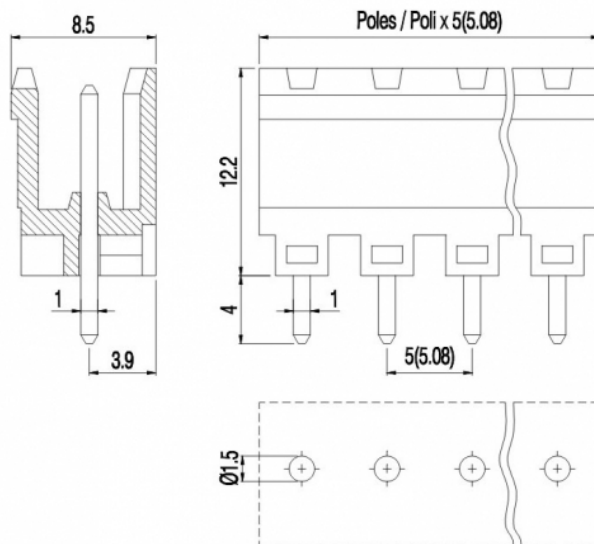
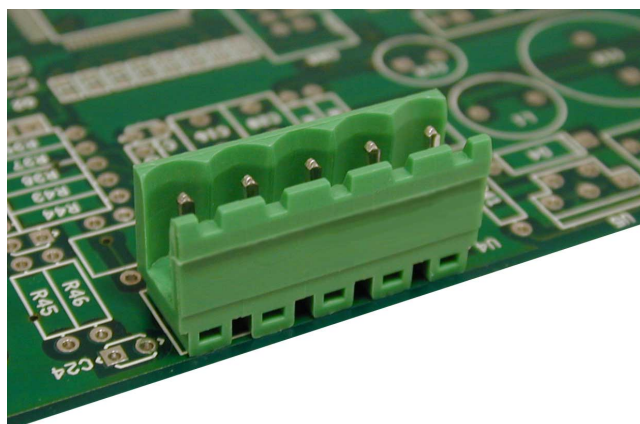


PV__-5-V



GENERAL INFORMATION

pitch	5 mm
Height	12.2 mm
Depth	8.5 mm
Dimensional class	Media
Wire section	-
Clamp opening size	-
Wire stripping	-
Operating temperature	-40 ÷ +130 °C

ELECTRICAL CHARACTERISTICS

Current	16 A
Voltage	250 V
Test Voltage	4 kVrms/60s

MECHANICAL CHARACTERISTICS

Screw	-
Recommended torque	-

APPROVALS DATA



	EN 61984	EN 61984	UL 1059
Current	16 A	12 A	16 A factory / 16 A field
Voltage	250 V	250 V	300 V
Wire section	-	-	-
Torque	-	-	-
FILE	CA02.04178	40005779	E178356

MATERIALS

Housing	PA - UL 94 V0
Screw	-
Clamp	-
Terminal	Tin-plated copper alloy

COLOURS

Standard



On request



POLES

NAME

3D FILE

02	PV02-5-V	File available
03	PV03-5-V	File available
04	PV04-5-V	File available
05	PV05-5-V	File available
06	PV06-5-V	File available
07	PV07-5-V	File available
08	PV08-5-V	File available
09	PV09-5-V	File available
10	PV10-5-V	File available
11	PV11-5-V	File available
12	PV12-5-V	File available
13	PV13-5-V	File available
14	PV14-5-V	File available
15	PV15-5-V	File available
16	PV16-5-V	File available
17	PV17-5-V	File available
18	PV18-5-V	File available
19	PV19-5-V	File available
20	PV20-5-V	File available
21	PV21-5-V	File available
22	PV22-5-V	File available
23	PV23-5-V	File available
24	PV24-5-V	File available