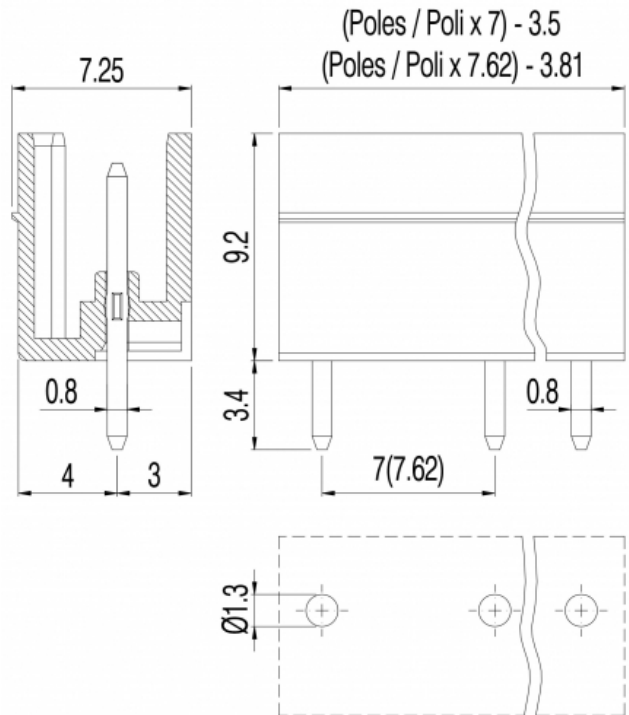
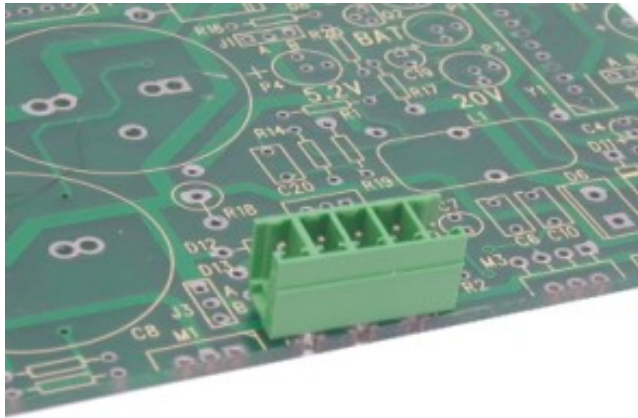


PV__-7-V



GENERAL INFORMATION

pitch	7 mm
Height	9.2 mm
Depth	7.25 mm
Dimensional class	Bassa
Wire section	-
Clamp opening size	-
Wire stripping	-
Operating temperature	-40 ÷ +130 °C

ELECTRICAL CHARACTERISTICS

Current	11 A
Voltage	500 V
Test Voltage	6 kVrms/60s

MECHANICAL CHARACTERISTICS

Screw	-
Recommended torque	-

APPROVALS DATA



Current	-	EN 61984	11 A	UL 1059	11 A factory / 11 A field
Voltage	-		400 V		300 V
Wire section	-		-		-
Torque	-		-		-
FILE	-		40048261		E178356

MATERIALS

Housing
Screw
Clamp
Terminal

PA - UL 94 V0

-
-

Tin-plated copper alloy

COLOURS

Standard



On request



POLES

- 02
- 03
- 04
- 05
- 06
- 07
- 08
- 09
- 10
- 11
- 12

NAME

- PV02-7-V
- PV03-7-V
- PV04-7-V
- PV05-7-V
- PV06-7-V
- PV07-7-V
- PV08-7-V
- PV09-7-V
- PV10-7-V
- PV11-7-V
- PV12-7-V

3D FILE

- File not available for this product
- File not available for this product
- File not available for this product
- File not available for this product
- File not available for this product
- File not available for this product
- File not available for this product
- File not available for this product
- File not available for this product
- File not available for this product
- File not available for this product